



---

### Dear Author(s):

Please use this template for your paper. The font type, size, captions, and all other required formatting has been set in this file and you need to transfer your content to this template.

#### **Please Save as the file in both word and pdf format with the following name format:**

Division # (You can find it on the instruction form)-First name-Last name of the first author-Revision # (e.g.. Starts with 1) , if we give you a revision, then the next revision shall be the same name and revision # will change to 1 and etc.

#### **Example of the filename:**

The paper is about inspection, so the division as per instruction is Division “C”, the correspondent author is “David Francisco,” and it is the first revision  
So the filename should be:

**C-David-Francisco-Revision1**

Please add Division code to the header of this pager and other pages.

#### **Actual template starts from here:**

**(Paper Title) [e.g. NUMERICAL AND EXPERIMENTAL SEISMIC PERFORMANCE EVALUATION]**

**First name last name<sup>1</sup>, First name Last name, [e.g. David Francisco]<sup>3</sup>**

<sup>1</sup> Academic rank/position [e.g. Professor, Ph.D., etc.], University/organization [e.g. University of California], City [e.g. Berkeley], Country [e.g. USA], correspondence author’s email)

<sup>2</sup> Ph.D., MStructE, CEng, Principle Bridge Engineer, ABCD Consulting Engineers, London, UK

<sup>3</sup> Academic rank/position, University/organization, City, Country

#### **ABSTRACT**

**Maximum 300-word**, Background, Methods, Results, Discussion, Conclusions

Font size and example: This paper aimed to .....

#### **Keywords**

Add keywords here in not more than a line

#### **INTRODUCTION**

Growing of demand for the residential housing .....

A new model of beam-column connection introduced a mixed up dry and wet connection systems (Figure 1). [Sample for indent, size and reference to a Figure.)



Figure 1, Structural assembling process

Using a steel connector ..... as available experiences (Giok 1993, Saqan, 1995, Kulkarni et al, 2008, Maya, et al, 2012) (Figure 2). [Sample of the Harvard standard referencing system.]

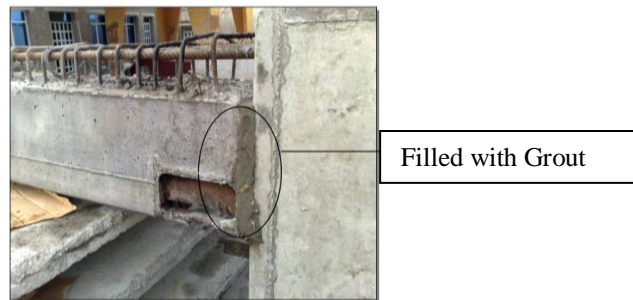


Figure 2, Structural assembling process

### TEST SET UP [ if applicable]

A rigid test ..... in different sensors (Figure 5&6). Three Concrete cubic samples with 150\*150\*150 mm were used to find the strength on the day of tests.

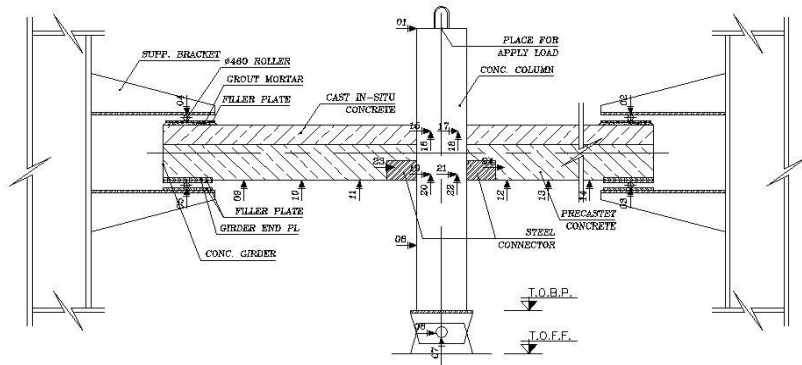
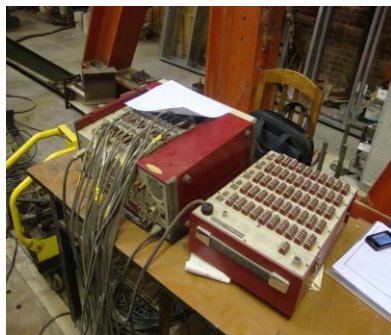


Figure 5, Data logger and LVDT sensor placement scheme

### TESTS' RESULTS [ if applicable]

The hysteresis and load deflection curves for .....

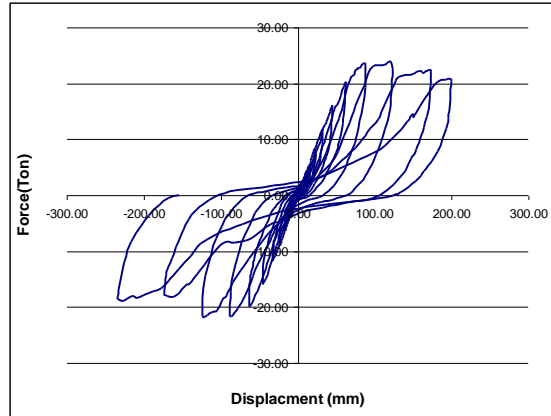


Figure 8, Hysteresis curves, Left PCF-1, Right PCF-2

### VERIFICATION OF FINITE ELEMENT MODEL [ if applicable ]

Finite element model (FEM) ..... experimental hysteresis loops (Figure 11).

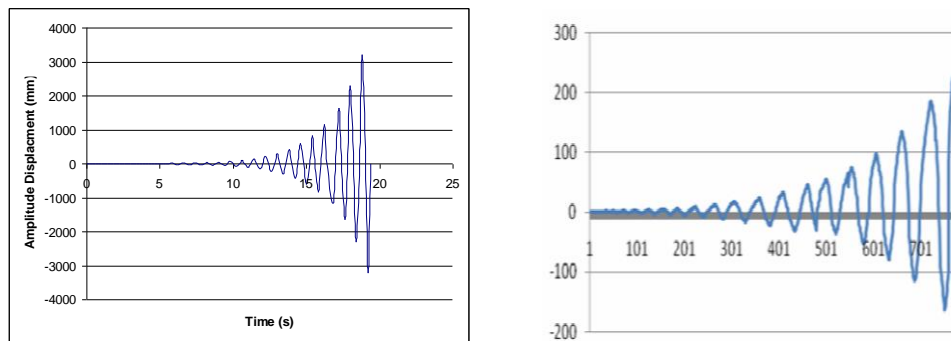


Figure 10, Loading history, Left; Numerical model, Right; Experimental Model

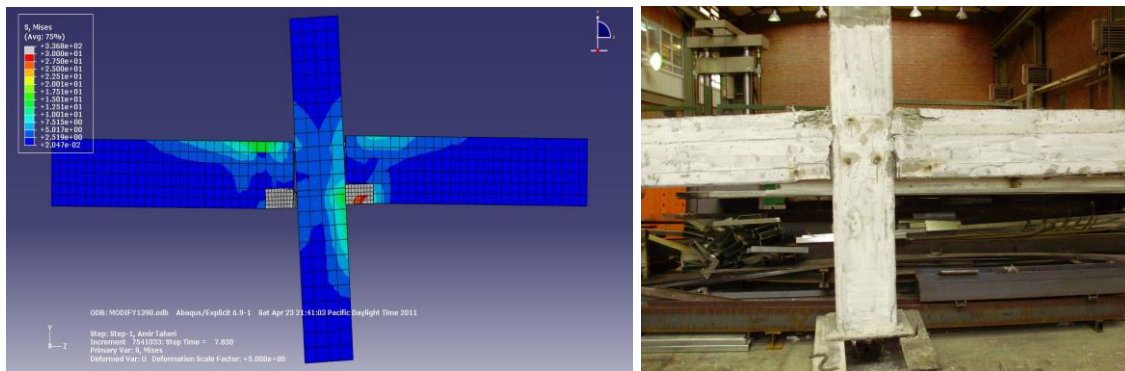


Figure 12, Comparison on Theoretical and experimental models at the final stage of loading

### CONCLUSION

This paper introduced ..... Results show:

- The results should be in the bullet form with a clear results.
- Comparing of .....

#### **ACKNOWLEDGEMENT [ if applicable]**

This project was conducted by the first author under grant No. 209-8901 supported by .....

#### **REFERENCES [ as per this sample and in the alphabetic order]**

ASCE standard-7, (2010), “Minimum design loads for buildings and other structures”, ASCE Standard ASCE/SEI 7-10, USA.

Applied Technology Council (ATC), (2007), “Interim testing protocol for determining the seismic performance characteristics of structural and nonstructural components-FEMA 461”, Federal emergency Management Association (FEMA), Washington D.C., USA.

Federal Emergency Management Association, (2000), “Prestandard and commentary for the rehabilitation of buildings-FEMA 356”, FEMA, Washington D.C., USA.

Ghafooripour A., (2011), “Analysis of tests results for the precast concrete connection” unpublished report or the client, Padir Consulting Engineers, San Jose, California.

Geok, S.G., Lew, H.S., (1993) “Model precast beam-column connections subjected to cyclic loading”, PCI Journal, July-August, PP(80-92).

Kulkarni S., Li, B., Yip W. K., (2008), “Finite element analysis of precast hybrid-steel concrete connections under cyclic loading”, Journal of constructional steel research, Elsevier, 64, PP(190-201)

Maya, L.F., Albajar, L., (2012) “Beam-Column Connections for Precast Concrete Frames Using High Performance Fiber Reinforced Cement Composites”, RILEM, HPRCC 6, pp. (347–354), Spain